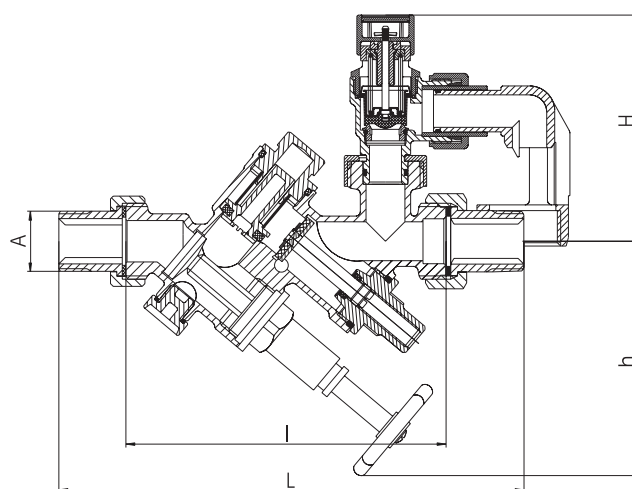


DN 15



DN 20

Nominal size		DN 15	DN 20
		G 1/2"	G 3/4"
	A	1/2" 3/4"	3/4" 1"
Dimensions	L (mm)	147 160	205 230
	l (mm)	90	140
	H (mm)	90	100
	h (mm)	50	115
max. potable water heater volume	(l)	200	1000
Heating capacity	(Kw)	max. 75	max. 150

Accessories

Manometer: Type 11