

s.28 DZR compression ends

full port 12 - 54 mm dezincification-resistant hot forged ball valves

Several governmental authorities recommend use of special alloys for valves handling water in areas where there is a problem of dezincification.

RuB DZR valves are designed to meet such requirements. Through the use of new technology these valves retain the reliability and competitiveness of brass, but are comparable to bronze in corrosion resistance.

Be kind with yourself, make sure the valve that brings you pure fresh water is an **RuB** DZR valve.



Quality:

- 24h 100% seal test guaranteed
- Dual sealing system allows valve to be operated in either direction making installation easier
- No metal-to-metal moving parts
- Handle clearly shows ball position
- Silicone-free lubricant on all seals
- Travel stops on body to avoid stresses at stem
- Chrome plated DZR brass ball for longer life

Body:

- Hot forged sand blasted DZR unplated body and cap sealed with Loctite® or equivalent thread sealant
- Dezincification resistant ADZ-T and ADZ-P brass approved to SBN-PFS 1983:2 and NR-BFS 1988:18 specifications

Stem:

- Two FPM O-rings at the stem for maximum safety
- Blowout-proof unplated DZR brass stem

Sealing:

- Pure PTFE self-lubricating seats with flexible-lip design

PED Directives:

- The product described in this document meets the requirements of PED Directive 2014/68/UE and according to art.4 par.3, it does not require CE marking; it cannot be used with dangerous gases in sizes larger than 25mm



Threads:

- Compression ends to EN 1254-2 and NKB no.12

Flow:

- Full port to DIN 3357 for maximum flow

Handle:

- Geomet® carbon steel handle with thick PVC dip coating. Handle coating offers both thermal and electrical protection
- Handle removable with valve in service

Working Pressure:

- 16 Bar (230 PSI) non-shock cold working pressure

Working Temperature:

- -20°C (-4°F) / +120°C (+250°F)
- **WARNING:** freezing of the fluid in the installation may severely damage the valve

Options:

- T-handle
- Oval lockable handle
- AISI 430 stainless steel handle
- Patented locking device
- Compression ends with extended stem for insulation
- Add-on brass stem extension

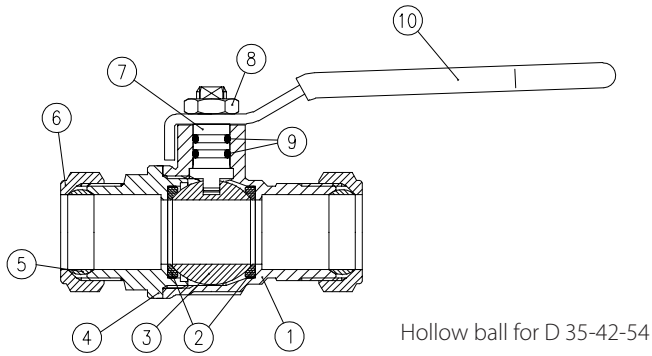
Upon Request:

- AISI 316 stainless steel ball
- Glass filled PTFE seals
- Custom design

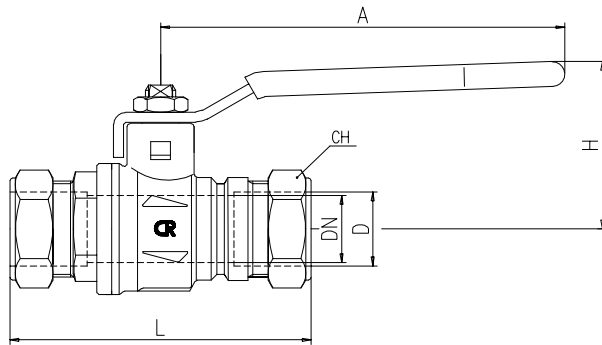
Approved by or in compliance with:

- Swedcert (Sweden)
- Water Regulations Advisory Scheme (United Kingdom)
- GOST-R (Russia)
- Hygiene and epidemic center in Moscow city (Russia)
- UkrSepro (Ukraine)
- RoHS Compliant (EU)
- EAC - Declaration of conformity (Russia-Kazakhstan-Belarus)

NOTE: Approvals apply to specific configurations/sizes only.



Part description	Q.ty	Material
1	1	CW602N
2	2	PTFE
3	1	CW602N
4	1	CW602N
5	2	CW617N
6	2	CW617N
7	1	CW602N
8	1	CB4FF
9	2	FPM
10	1	DD11

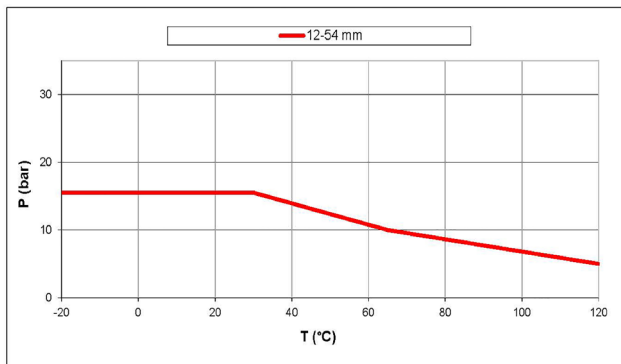


Valve code	S28C12	S28D15	S28D18	S28E22	S28F28	S28G35	S28H42	S28I54
D (mm)	12	15	18	22	28	35	42	54
DN (mm)	10	15	15	20	25	32	40	50
L (mm)	67	72	78.5	79	90.5	110	128.5	142
A (mm)	100	100	100	120	120	158	158	158
H (mm)	38	43	43	50	54	73	79	86
CH (mm)	19	24	27	32	38.5	48	54	70

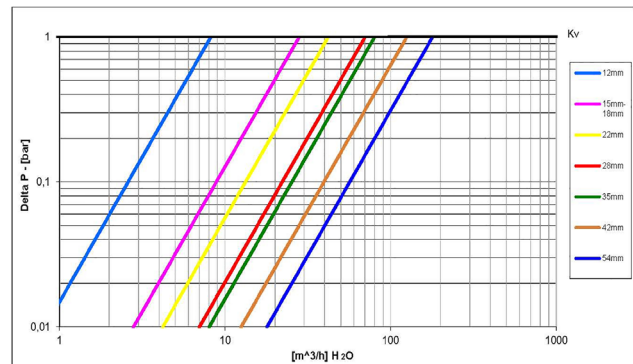
DN shows the nominal flow diameter. Actual flow diameter complies with full port DIN 3357 part 4.

Ask for additional information on the whole range of **RuB** valves and consult with your supplier for special applications.

Pressure-Temperature Chart



Pressure Drop Chart



RuB endeavors to provide comprehensive information about the installation, maintenance and operation of its products. For more details or clarification, please contact us. **RuB** reserves the right to change or modify product design, construction, specifications, materials or the information herein without prior notice and without incurring any obligation to make such changes and modifications on **RuB** products previously or subsequently sold. Content of this document is proprietary to **RuB** and it may not be copied in part or in whole without prior written authorization from **RuB**. Recommendations on application design and material selection are based on available technical data and are offered as suggestions only. Pressure and temperature ranges are for generic use of the products. Each user should make his/her own tests to determine the suitability for his/her own particular use. **RuB** offers no express or implied warranties concerning the form, fit, or function of a product in any application. **RuB** does not accept liability for errors or omissions. Any undated reference to a code or standard shall be interpreted as referring to the latest edition. **RuB** and logo are registered trademarks of **Rubinetteria utensilerie BONOMI srl**. Other logos are property of respective owners.

XCES28 - Rev: 3707