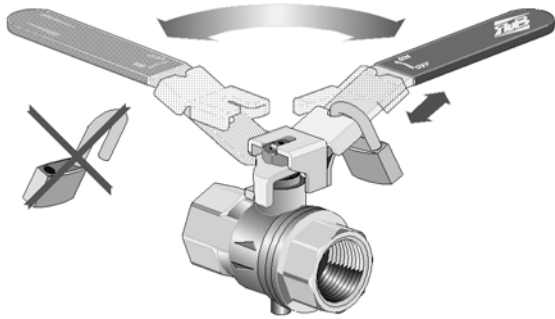
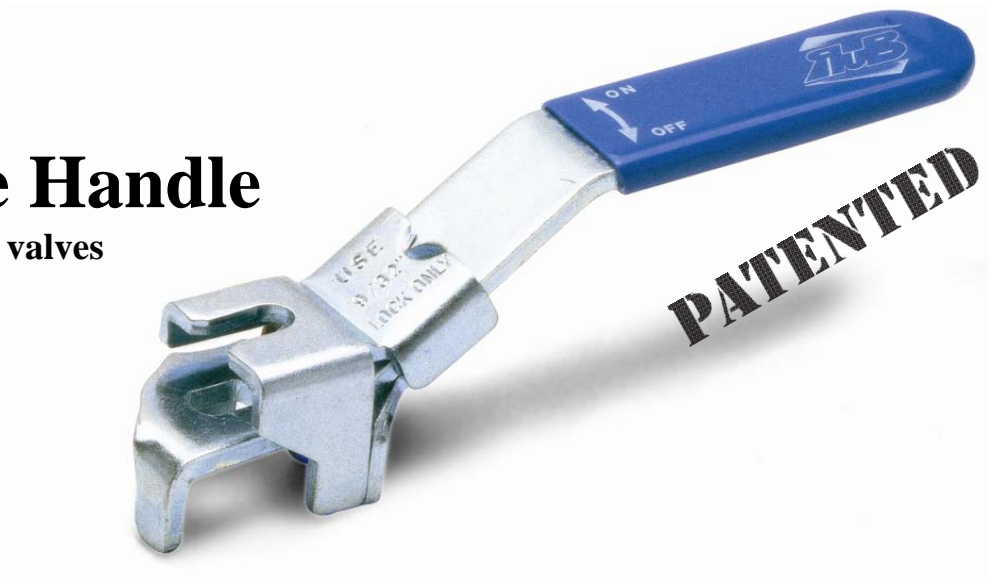
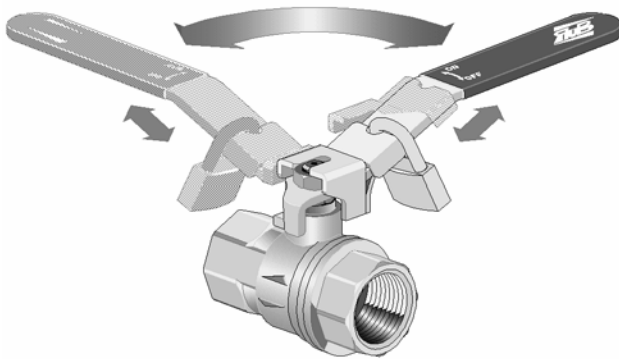


Lockable Handle

for most *RuB* ball valves
in sizes 1/4"÷4"



Lockable only in closed position when assembled on s.93 1/4"÷1" *RuB* range.



Lockable in both open and closed positions when assembled on any other 1/4"÷4" *RuB* range.

The *RuB* lockable handle is made of strong Geomet® carbon steel and designed to discourage tampering. The *RuB* locking device covers the top nut of the valve making removal impossible without a key. Easy to install on valves in the field, the *RuB* lockable handle will lock s.93 *RuB* valve the closed position only in compliance with OSHA (USA) safety requirements, while other *RuB* valves can be locked in both the open and closed positions.

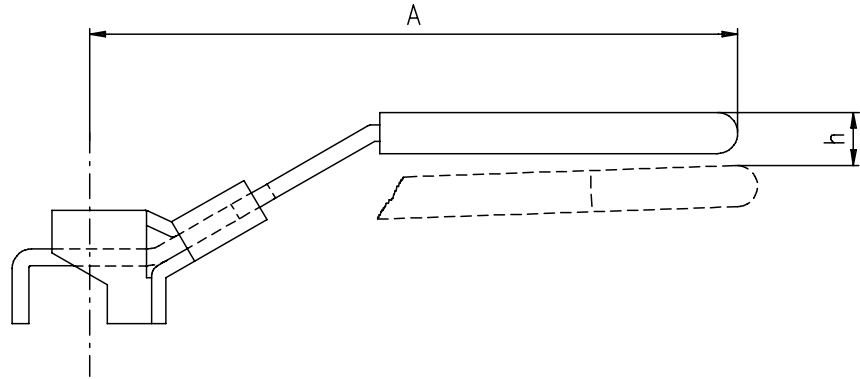
RUBINETTERIE UTENSILERIE BONOMI SRL

VIA PADANA SUPERIORE, 27/29 - FRAZ. CILIVERGHE, 25080 MAZZANO (BS) - ITALY



Fax+39 030 2629498
 Phone+39 030 212441
 www.rubvalves.com
 sales@rubvalves.com

PATENTED



Code	PBFA13	PFBA16	PFBA19	PFBA20
A (mm)	96	117	156.5	255
h (mm)	8.5	9.5	4	0
FULL PORT(inch)	1/4-3/8-1/2	3/4-1	1 ¹ / ₄ -1 ¹ / ₂ -2	2 ¹ / ₂ - 3 - 4
REDUCED PORT(inch)	1/2-3/4	1-1 ¹ / ₄	1 ¹ / ₂ -2 ¹ / ₂	3 - 4

Code	PBFA13	PFBA16	PFBA19	PFBA20
A (inch)	3.779	4.606	6.16	10.039
h (inch)	0.334	0.374	0.157	0
FULL PORT(inch)	1/4-3/8-1/2	3/4-1	1 ¹ / ₄ -1 ¹ / ₂ -2	2 ¹ / ₂ - 3 - 4
REDUCED PORT(inch)	1/2-3/4	1-1 ¹ / ₄	1 ¹ / ₂ -2	3 - 4

Dimension A shows handle length from center of stem; dimension h shows height of handle compared to standard handle assembled on valves. Two bottom lines show size of valve to fit with each size of lockable handle. Use 9/32" size shackle padlock up to 2", and 5/16" over.

Ask for additional information on the whole range of RuB valves and consult with your supplier for special applications.

Your local source is:

