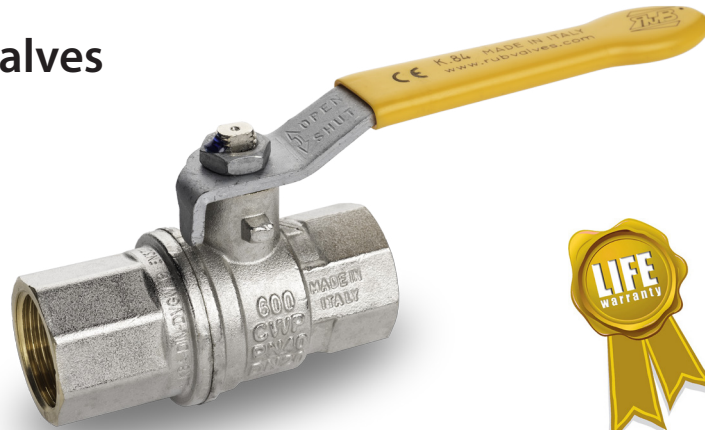


k.84

full port 1/4"-2" hot forged brass ball valves



Quality:

- 24h 100% seal test guaranteed
- Dual sealing system allows valve to be operated in either direction making installation easier
- No metal-to-metal moving parts
- No maintenance ever required
- Handle clearly shows ball position
- Silicone-free lubricant on all seals
- Handle stops on body to avoid stresses at stem
- Chrome plated brass ball for longer life with rinse hole

Body:

- Valve length according to DIN 3202 M3 specification
- Finest brass according to EN 12165 and EN 12164 (formerly DIN 17660 and UNI 5705-65) specifications
- Hot forged sand blasted external nickel plated brass body and cap sealed with Loctite® or equivalent threads sealant

Stem:

- Blowout-proof nickel plated brass stem
- Two FPM O-rings at the stem for maximum safety

Sealing:

- Pure PTFE self-lubricating seats with flexible-lip design

PED Directives:

- Assessment according to Pressure Equipment Directive 2014/68/UE module B+D by Pascal (1115)



Threads:

- EN 10226-1, ISO 228 parallel female by female threads

Flow:

- Full port to DIN 3357 for maximum flow

Handle:

- Geomet® carbon steel handle with thick PVC dip coating. Handle coating offers both thermal and electrical protection

Working Pressure and Working Temperature:

- 40 Bar (600 PSI) non-shock cold working pressure
- -40°C (-40°F) / +170°C (+350°F)
- For use with dangerous fluids temperature rating is -20°C +60°C and pressure rating is 5 Bar
- **WARNING:** freezing of the fluid in the installation may severely damage the valve

Options:

- Stem extension
- T-handle
- Oval lockable handle
- AISI 430 stainless steel handle
- Patented locking device

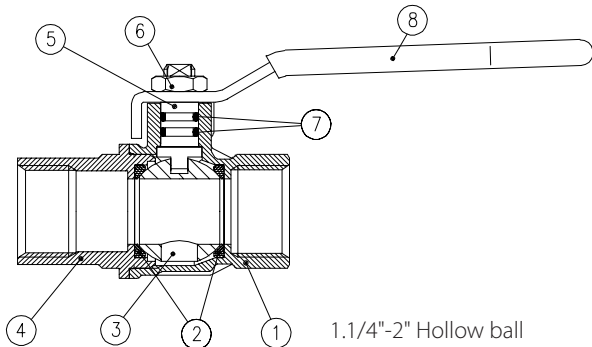
Upon Request:

- AISI 316 stainless steel ball
- Glass filled PTFE seals
- Custom design

Approved by or in compliance with:

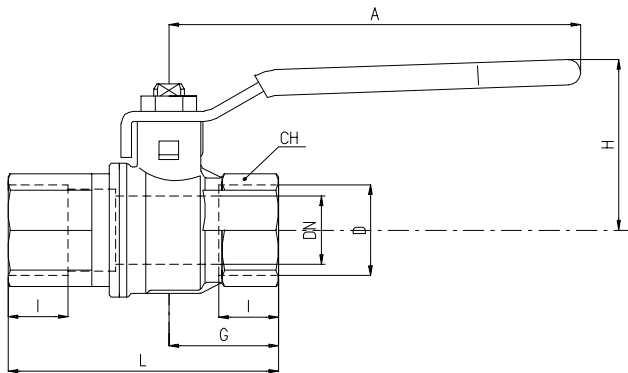
- Danmarks Gasmateriel Provning (Denmark)
- SVGW (Swiss)
- GOST-R (Russia)
- Hygiene and epidemic center in Moscow city (Russia)
- UkrSepro (Ukraine)
- BSI Group (United Kingdom)
- RoHS Compliant (EU)
- DIN-DVGW (Deutschland)
- EAC - Declaration of conformity (Russia-Kazakhstan-Belarus)

NOTE: Approvals apply to specific configurations/sizes only.



1.1/4"-2" Hollow ball

Part description	Q.ty	Material
1 Nickel plated body (external treatment)	1	CW617N
2 Ball seat	2	PTFE
3 Chrome plated ball with rinse hole (read rinse hole on sizes from 3/4" up to 2")	1	CW617N
4 Nickel plated end-cap (external treatment)	1	CW617N
5 Nickel plated stem O-ring design	1	CW617N
6 Geomet® nut	1	CB4FF
7 O-Ring	2	FPM
8 Yellow PVC coated Geomet® steel handle	1	DD11



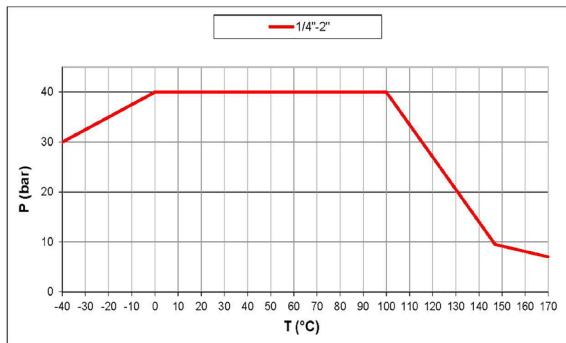
Code	S84B05	S84C05	S84D05	S84E05	S84F05	S84G05	S84H05	S84I05
D (inch)	1/4	3/8	1/2	3/4	1	1 1/4	1 1/2	2
DN (mm.)	8	10	15	20	25	32	40	50
I (mm.)	12	12	15.5	17	21	23	23	26.5
L (mm.)	50	60	75	80	90	110	120	140
G (mm.)	22.5	22.5	29.5	32	40.5	46.5	51	60.5
A (mm.)	82	82	100	120	120	158	158	158
H (mm.)	38	38	43	50	54	73	79	86
CH (mm.)	20	20	25	31	40	49	54	68.5

DN shows the nominal flow diameter. Actual flow diameter complies with full port DIN 3357 part 4.

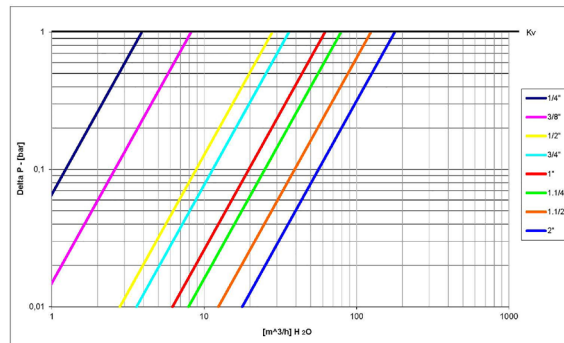
Ball valves are marked CE on handle from 1.1/4" to 2" as follow: CE 1115 cat IIIB+D PS: 5 GAS TS1: -20°C TS2: +60°C

Ask for additional information on the whole range of **RuB** valves and consult with your supplier for special applications.

Pressure-Temperature Chart



Pressure Drop Chart



RuB endeavors to provide comprehensive information about the installation, maintenance and operation of its products. For more details or clarification, please contact us. **RuB** reserves the right to change or modify product design, construction, specifications, materials or the information herein without prior notice and without incurring any obligation to make such changes and modifications on **RuB** products previously or subsequently sold. Content of this document is proprietary to **RuB** and it may not be copied in part or in whole without prior written authorization from **RuB**. Recommendations on application design and material selection are based on available technical data and are offered as suggestions only. Pressure and temperature ranges are for generic use of the products. Each user should make his/her own tests to determine the suitability for his/her own particular use. **RuB** offers no express or implied warranties concerning the form, fit, or function of a product in any application. **RuB** does not accept liability for errors or omissions. Any undated reference to a code or standard shall be interpreted as referring to the latest edition. **RuB** and logo are registered trademarks of **Rubnetterrie utensilerie BONOMI srl**. Other logos are property of respective owners. XCEK84 - Rev: 3723