

# Drufi+ DFR 2315

Semi-automatic backwash filter with pressure reducing valve



2

## Field of application

SYR Drufi+ DFR is a valve combination specially designed for installation at the domestic point of entry. It includes a semi-automatic backwash filter and a pressure reducing valve in accordance with the European standard EN 1567. The Drufi+ DFR has undergone acoustic testing and is suited for installation in residential buildings. When connected to a drain pipe of nominal size

DN 50, the tundish leads the backwash water into the sewage system. The integrated construction form results in a compact unit, so that installation is possible even in confined spaces. Use the Drufi flange programme for installation in the pipe. The flanges can be mounted in vertical and horizontal pipework. The integral pressure reducing valve allows individual pressure setting.

## Design

The Drufi+ DFR is composed of a mechanical semi-automatic backwash filter. It also includes a flange seal, hexagon socket screws for the flange assembly and an assembly key for the hexagon socket screws. The pressure reducer insert is factory-set

to an outlet pressure of 4 bar, the external adjustment ring allowing individual pressure setting ranging between 1.5 and 6 bar. The Drufi+ DFR is also equipped with an outlet pressure manometer.

## Drufi+ DFR 2315

### Materials

The filter cap is made of high-quality synthetic material. The body and the internal synthetic parts are made of shock-resistant thermoplast, the rubber parts of ageing-resistant elastomer. All remaining functional parts are made of a low-lead dezincification resistant gunmetal alloy or stainless steel.

The ring seals are made of asbestos-free fibre. All materials are tested and certified by an internationally recognised test institute in Germany (DVGW). All synthetic components getting in contact with water designed for human consumption are approved by the German Public Health Office (KTW).

### Installation

It is recommended to install a filter in a drinking water system to protect it against corrosion and many applications require pressure reducing valves. Both valves shall be installed directly behind the water mete-

ring system and be easily accessible. In the Drufi+ DFR, the filter is located upstream of the pressure reducing valve in order to protect the latter.

Thoroughly flush the pipework prior to installation. Use filtered water from the first onset of the drinking water installation. Always use a flange to mount the Drufi+ DFR, which allows installation in vertical and horizontal pipes. The main axis of the

filter has to be vertical. Install the suitable flange in the pipework without applying stresses. Attach it to the filter body with 4 stainless steel screws; pull them pressure-tight crosswise with the key included in the delivery.

### Technical Data

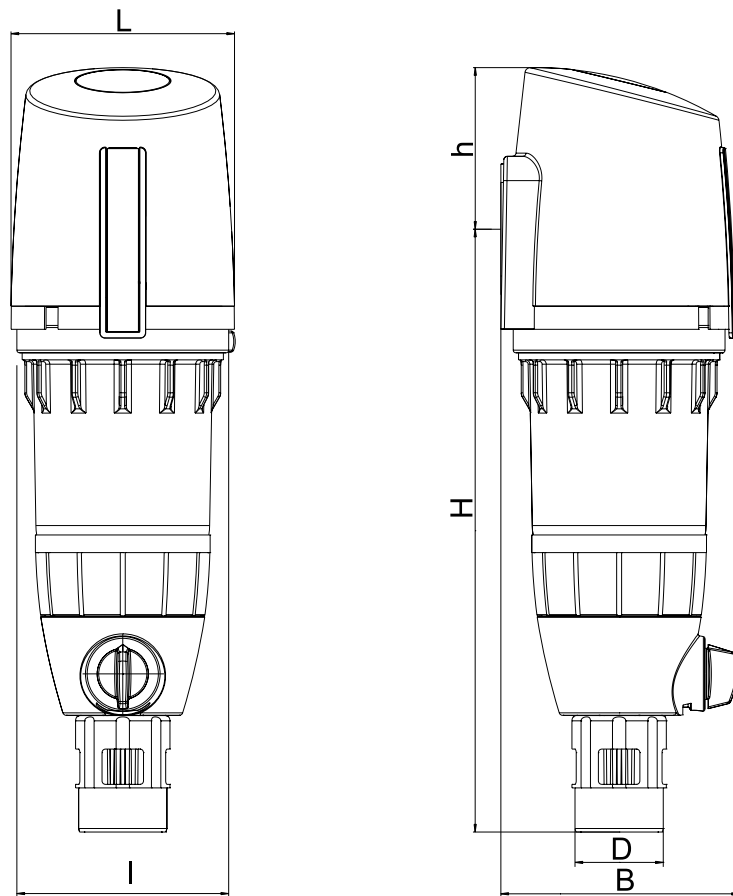
Operating pressure:	min. 2 bar, max. 16 bar
Operating temperature:	max. 30 °C
Mounting position:	main axis vertical
Fluid:	potable water
Mesh width:	90 µm
Flow rate capacity:	DN 20: 2,3 m³/h at 1,1 bar Δp
	DN 25: 3,6 m³/h at 1,1 bar Δp
	DN 32: 5,8 m³/h at 1,1 bar Δp

### Maintenance

When the flow rate is reduced due to increased pressure loss, but every 6 months at the latest, the filter needs to be serviced by backwashing. The backwash system is semi-automatic. Open and close the ball valve to trigger the automatic backwash operation of the complete filter. Even during backwashing, the device continues to supply filtered water into the potable water system. When the filter has been

exchanged, set the maintenance indicator by means of the slide to the month of the next backwash operation. Use the adjustment ring to set the pressure reducing valve at static pressure to the desired pressure ranging between 1.5 and 6 bar. The Drufi+ DFR can be retrofitted with an automatic backwash system to become a fully automatic backwash filter.

# Drufi+ DFR 2315



2

Nominal size	DN 20 - DN 32	
	A	G 3/4" - 1 1/4"
Dimensions	H (mm)	341,5
	h (mm)	92
	L (mm)	127
	I (mm)	120
	D (mm)	50
	B (mm)	135

## Accessories

Automatic backwash system

# Drufi+ DFR 2315

Components / Order numbers

①  
Cover

②  
Clip

③  
Pressure gauge

④  
Valve body

⑤  
Filter insert

⑥  
Pressure reducer cartridge

⑦  
Spring

⑧  
Filter cap

⑨  
O-Ring filter cap

⑩  
Knob

⑪  
Tundish

